

# TMM MINI-MIGHTER

## 140kg lifting capacity

### Features:

#### Machine size

Extremely compact and lightweight.

#### Cast Iron Housing provides high strength

Durable in harsh environments.

#### Auto Stop

Auto Stop activated when the maximum travel is reached, eliminating reverse winding.

#### Self Spooling

Wire rope automatically spools inside the unit.

#### Load Tested

All units tested to 125% of rated capacity before delivery and test certificate provided.

**TMM-140AE**



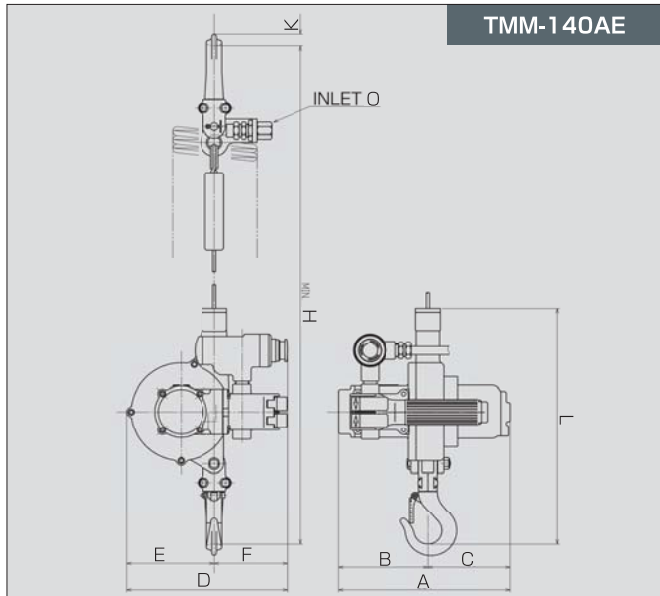
### Control type

Handle-mounted pendant control provides one-handed operation.

Left or Right Hand Operation.

Comes standard with adjustable handle for either left or right hand operation.

#### External Dimensions



#### TMM-140AE Use example



Enables you to lift and lower the object quick and easy.



TMM-140AE present you precise control in positioning the object.

#### Dimensions in mm

| MODEL     | A   | B   | C   | D     | E   | F    | H   | L   | O     |
|-----------|-----|-----|-----|-------|-----|------|-----|-----|-------|
| TMM-140AE | 224 | 116 | 108 | 208.2 | 114 | 94.2 | 573 | 308 | PT3/8 |

| MODEL     | Lifting Capacity | Lifting Speed |                     |             |                     | Weight | Min Hook Distance | Chain Dimension | Hose Size |
|-----------|------------------|---------------|---------------------|-------------|---------------------|--------|-------------------|-----------------|-----------|
|           |                  | Load (up)     | Air Cons            | Load (Down) | Air Cons            |        |                   |                 |           |
|           | Kg               | m/min         | m <sup>3</sup> /min | m/min       | m <sup>3</sup> /min | Kg     | mm                | mm              | mm        |
| TMM-140AE | 140              | 11            | 0.63                | 18          | 0.65                | 10     | 572.8             | 4               | 9.5       |

\* Operating Air pressure is from 0.4MPa to 0.6MPa.